

125° hinge

Webcode  
 DQDJIM

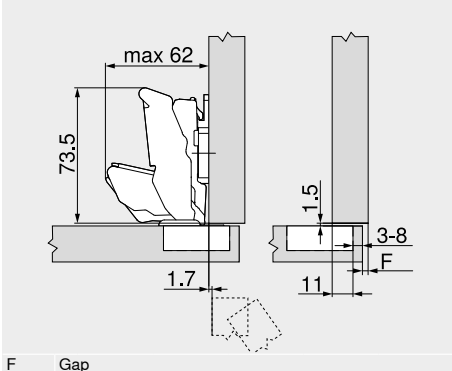
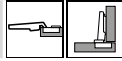
Planning

Hinge dimensions and gap calculation based on factory setting (mounting plate spacing = 0 mm)

Hinge and front protrusion at 90° opening angle

Overlay application

0-protrusion



F Gap

Drilling distance TB

MD	Front overlay FA (mm)																	
	5	6	7	8	9	10	11	12	13	14	15	16	17	18	19			
0											3	4	5	6	7	8		
3							3	4	5	6	7	8						
6				3	4	5	6	7	8									
9	3	4	5	6	7	8												

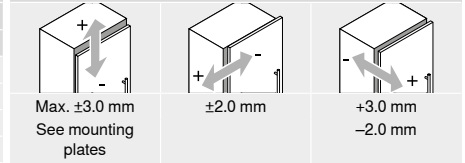
MD Mounting plate spacing (mm)

Minimum gap F for fronts with a front radius (R = 1 mm) based on the factory setting

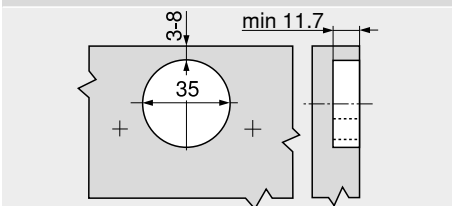
Drilling distance TB (mm)	Front thickness FD (mm)											
	29	30	31	32	33	34	35	36	37	38	39	40
3	0	0	0	0.1	0.3	0.7	1.2	2	2.8	4.1	5.7	-
4	0	0	0	0.1	0.4	0.8	1.5	2.3	3.4	4.9	-	-
5	0	0	0	0.1	0.4	1	1.7	2.8	4.2	-	-	-
6	0	0	0	0.1	0.6	1.2	2.1	3.5	-	-	-	-
7	0	0	0	0.2	0.7	1.6	2.8	-	-	-	-	-
8	0	0	0	0.3	1	2	-	-	-	-	-	-

We recommend a trial application for an overlay application against a wall  
 92° Opening angle stop

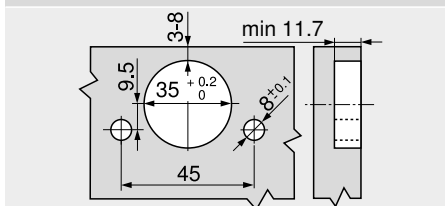
Adjustment



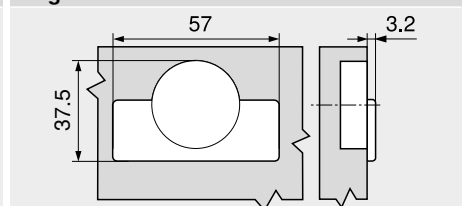
Screw-on



Knock-in



Hinge boss dimensions



Page instructions

Overview – CLIP top BLUMOTION   CLIP top – hinges	93
Mounting plates	172
Accessories – hinge arm cover cap	181
Accessories – general	182
Overview – BLUMOTION for doors	185

Overview – assembly devices	595
More technical details	686

Assembly, removal and adjustment



Short-URL  
[www.blum.com/a210](http://www.blum.com/a210)